



www.abacushealthcare.com

0808 256 4249

1800 Pre Installation Requirements REPLACEMENT BATH INSTRUCTIONS

Access

IMPORTANT – The bath must be sited **at least 25mm away** from any wall to ensure there are no finger trap areas. It is usual to give around 100mm clearance to allow for easier servicing if possible.

FLOORING

Ensure the floor is flat, level and structurally sound & there are **NO SERVICES BURIED** within the floor fixing area. For clarity there should be no services within the space detailed on “Location of Bath End Feet Assembly” diagram.

Where there are services or it is impossible to drill into the floor then the office must be advised so that a Chemical bonding kit and fittings are supplied with the bath.

PLUMBING

Feeds should be as follows:

22mm hot water inlet; 15mm cold water inlet; 40mm Waste outlet @ 3ltr/Sec. Plumb according to Plumbing Diagrams. **Feeds should terminate with isolating valves.**

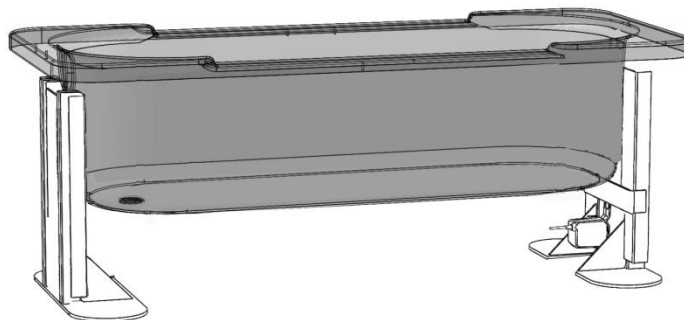
Side or End Walls Feeds.

Feed & Waste – These should exit bathroom wall in either shaded area marked **A. Fig 1**. Pipework should terminate in either shaded area paying attention to layout intended for manifold and manifold holes height – 65mm. See **Fig 2**. Plumbing tails must be fitted with isolating valves.

Floor Feeds

Plumbing to exit floor and terminate in either shaded area in **Fig 1**. Please note layout intended for manifold and manifold holes height – 65mm. See **Fig 2**. Tails c/w elbow should be left at 65mm height off floor for manifold connection. Plumbing tails must be fitted with isolating valves.

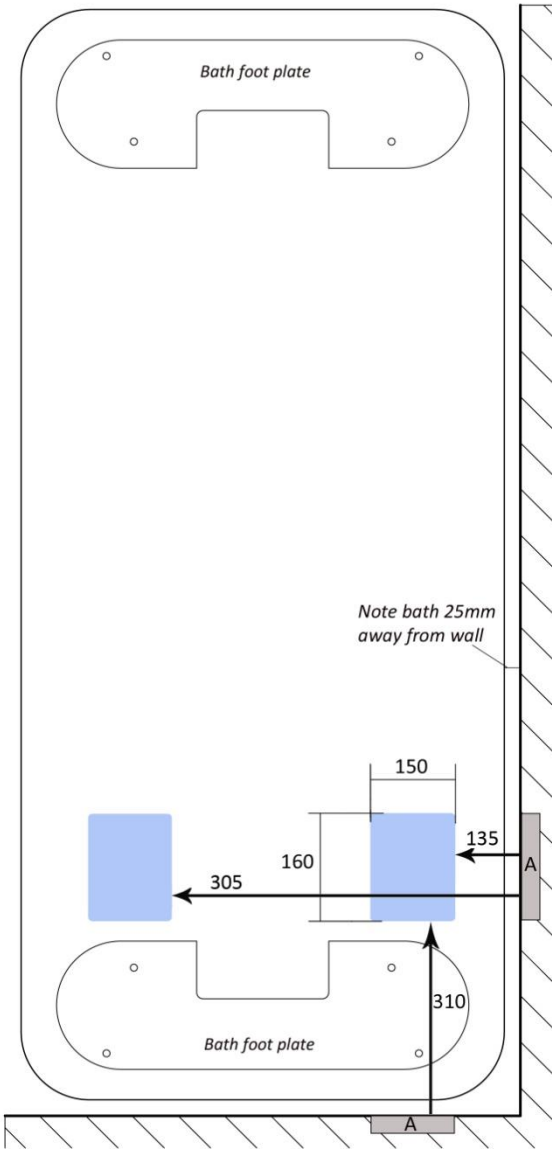
Where existing floor feeds exist, ensure they meet the requirements of Fig 1 or Fig 3.



1800 Pre Installation Requirements

REPLACEMENT BATH INSTRUCTIONS

FIG 1
Bath - Minimum distance off Wall 25mm.



TAP END OF BATH

FIG 2

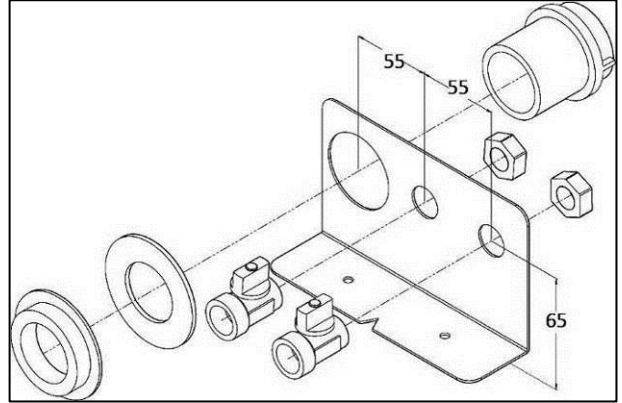
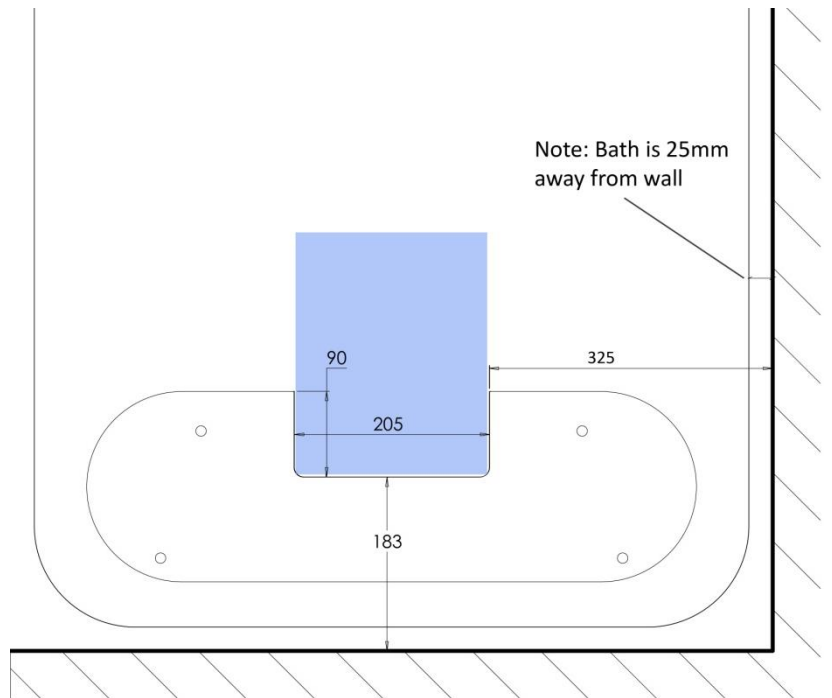


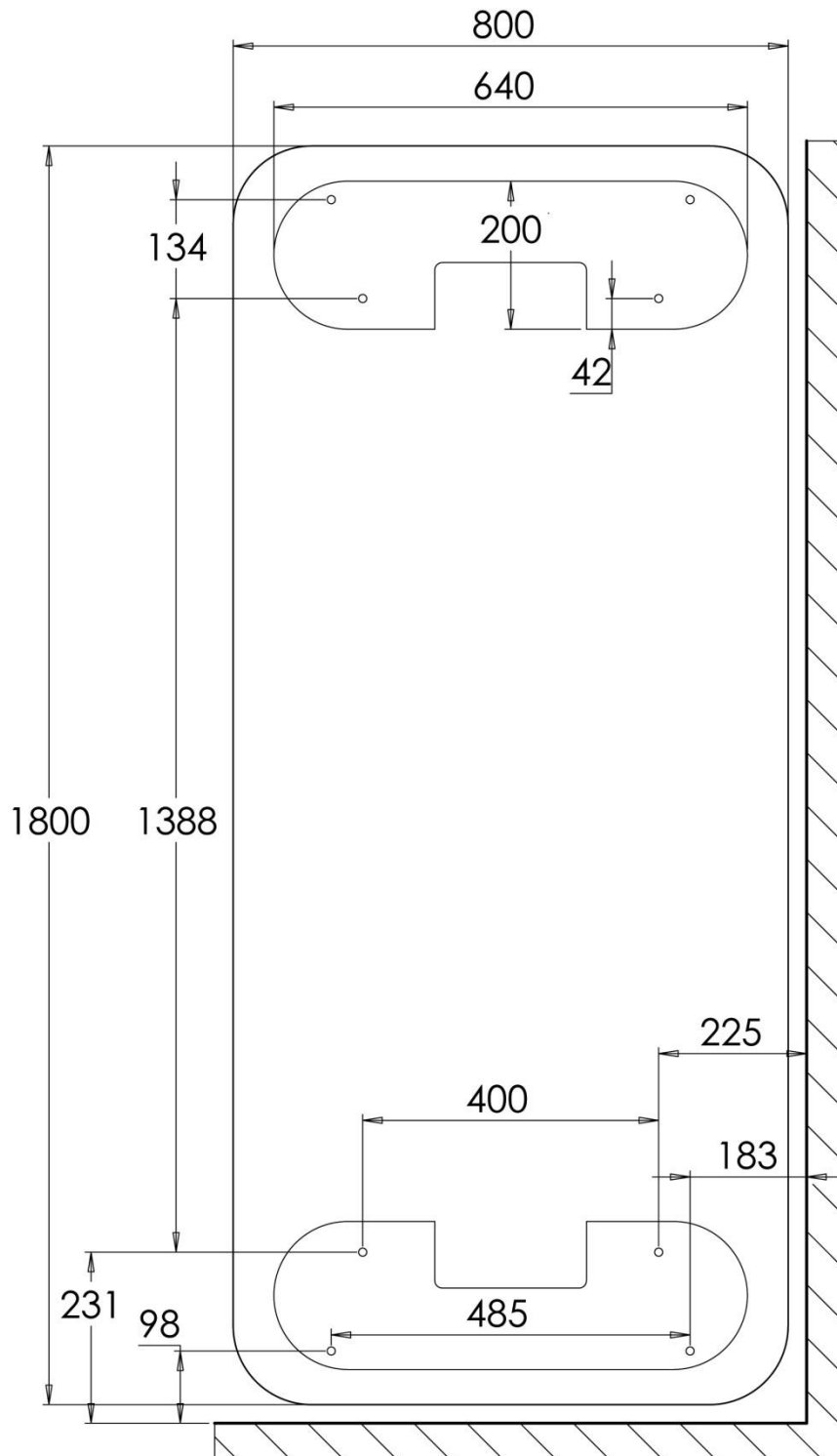
FIG 3
Area for existing floor fed feeds



1800 Pre Installation Requirements REPLACEMENT BATH INSTRUCTIONS

Dimensions are from the building walls where shown. Including the minimum distance between walls and bath sides of 25mm (BS EC Directive)

Location of Bath End Feet Assembly



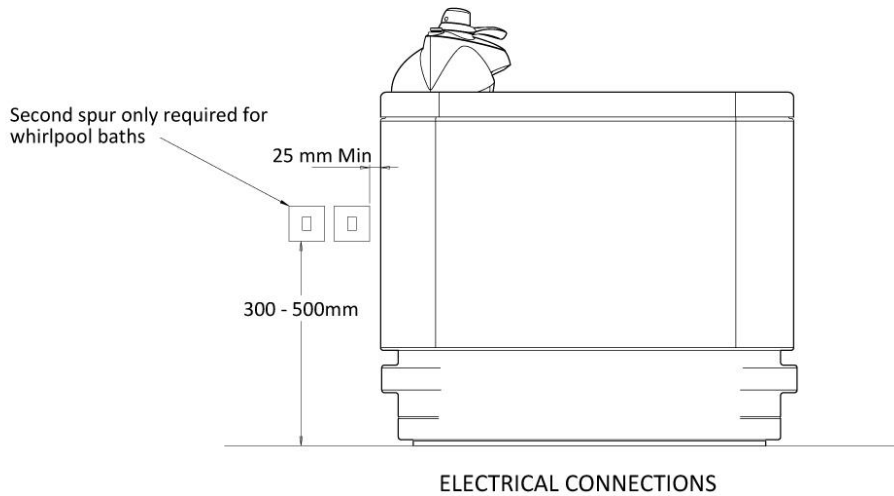
Floor must be sound, solid and even surface.

Attention should be paid to the footplate area which will be drilled to a depth of 100mm and must be of sound construction with no buried services in foot plate area.

1800 Pre Installation Requirements

REPLACEMENT BATH INSTRUCTIONS

ELECTRICS



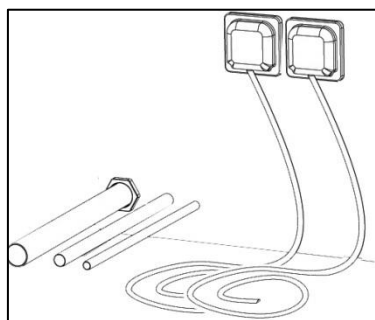
1. 5 Amp IP65 rated Non Switch Fused Spur, with 2m of 1.5mm 3 core round flex trailing. Cable should be housed in flexible conduit and located at the tap end of the bath, positioning and specification to be in accordance with IEE regulations. The Spur box should be mounted between 300-500mm off the floor.
2. Where a Whirlpool is fitted then 13 Amp IP65 rated Non Switch Fused Spur fused spur is required as point 2.

Electrical Connection & Earth Bonding

A 30mA RCCD or RCBO is required in compliance in accordance with 17th Edition IEE regulations. This should be located just outside the bathroom or on the consumer unit covering that area of the building.

Earth Bonding and Cross Bonding are to be fitted and tested for continuity in accordance with IEE regulations.

*Image for Plumbing and Electrical Supplies (2nd Spur fuse for Whirlpool)
(Reference purposes only) -Side & end wall feeds*



1800 Pre Installation Requirements

REPLACEMENT BATH INSTRUCTIONS

Water Pressure Requirement

If the bath requires a Thermostatic Mixing Valve, please read the following which outlines how a TMV may affect the use of your bath.

The working parameters of the TMV require a water pressure of 1-5 bar with a maximum pressure loss ratio of no greater than 10:1 between hot and cold feeds.

The maximum bath water temperature according to DO8 is no higher than 46°C and the maximum for the shower is 39°C.

It is important to note that a pressure difference between hot and cold pipes will have a great effect on the time it takes to fill a bath, i.e;

Hot water 1.4 bar and Cold water 2.4 bar = Approx. 9min. to fill bath with 180 litres

Hot water 2.2 bar and Cold water 2.2 bar = Approx. 5min. to fill bath with 180 litres

If in doubt a pressure test should be carried out prior to installation of the bath, and if required a booster pump or pressure reducing valve fitted, as required.

POWER BATH FLOOR FIXING KIT (Supplied with Bath)

Contents Pack

M10 x 70mm	Sleeve Bolts	4
M8 x 70mm	Coach Screws	4
10 x 50mm	Nylon Fixing Plugs	4
	White Hole Cover Plugs	4

Note – It is a requirement that **at least** 2 firm fixings are made for each base plate. The table below shows which type of fixing should be used based on the flooring.

Base Plate Fixings	Floor Material
M8 Coach Screws	Joist & Noggin
M8 Coach Screws with nylon Plug	Brick & Block
*Sleeve Bolts	Compound
M8 Coach Screws with nylon Plug**	Floating
M8 Coach Screws with nylon Plug	Block & Beam
*M10 Sleeve Bolts	Concrete

*Sleeve bolts will not grip unless the hole is cleaned out first

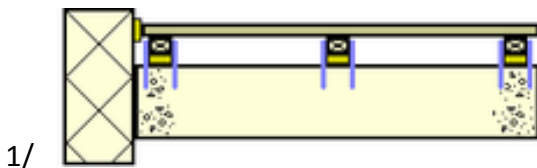
** Plugs to be fixed into lower section of floor and not floating section

Should you experience difficulties please call our Technical Support Line 0870 066 0809

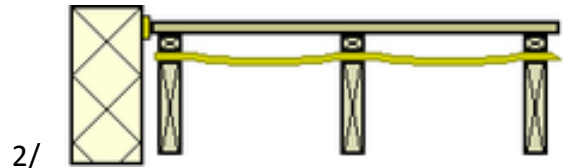
Floating Floors

The definition covers a multitude of floor finishes. Typical examples below.

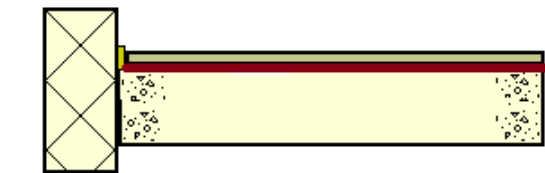
It is imperative that before any work is carried out that an understanding of the floor composition is carried out.



Floating floor fixed to wood supports over concrete



Floating floor fixed to wood Joists



Floating Floor on cushion material

Dependent upon the sub-structure a decision can be made as to whether it is feasible to install a powered bath with chair. If the bath is a platform bath this is not an issue as there is little or no lateral load. The issue arises when it is necessary to support the cantilever effect of the chair+patient.

Read below to address the floating floor that affects your installation:

1/

It is feasible to tackle this type of floor in two ways.

- a) Remove a section of the surface floor and 'build up' from the concrete sub-floor. This can be done by creating a 'tray' and fill this using a concrete mix. Alternatively timber joists can be anchor bolted to the concrete sub-floor to provide the needed support. The finish should come level with the surface floor.
- b) If the void is small it is acceptable to drive through with Rawl/Coach bolts. This may require a small section of the surface floor being removed and material such as sheet wood inserted to fill the area.

2/

This type of void requires the surface floor removing and Noggins introduced to brace between the Joists. Particular attention should be made on the area where the foot plate of the bath is to be sited.

3/

Dependent upon the void size it is usually acceptable to remove the material (often 100mm/4" polystyrene) and back filling with concrete.

Under No Circumstances should fixing be made to the surface floor alone.